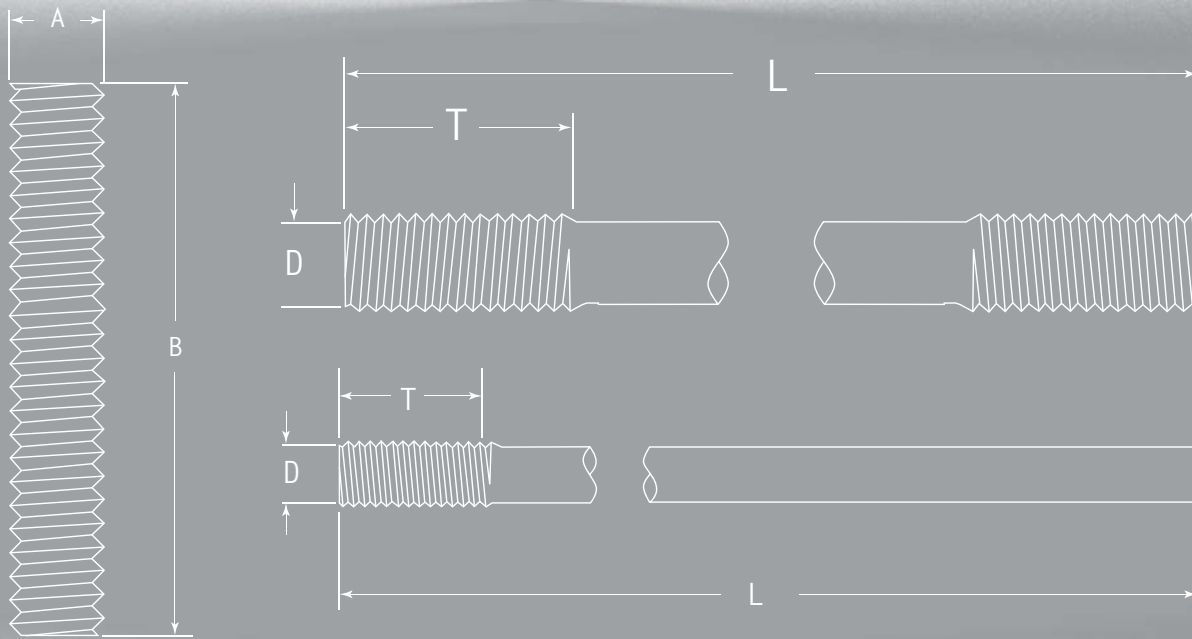
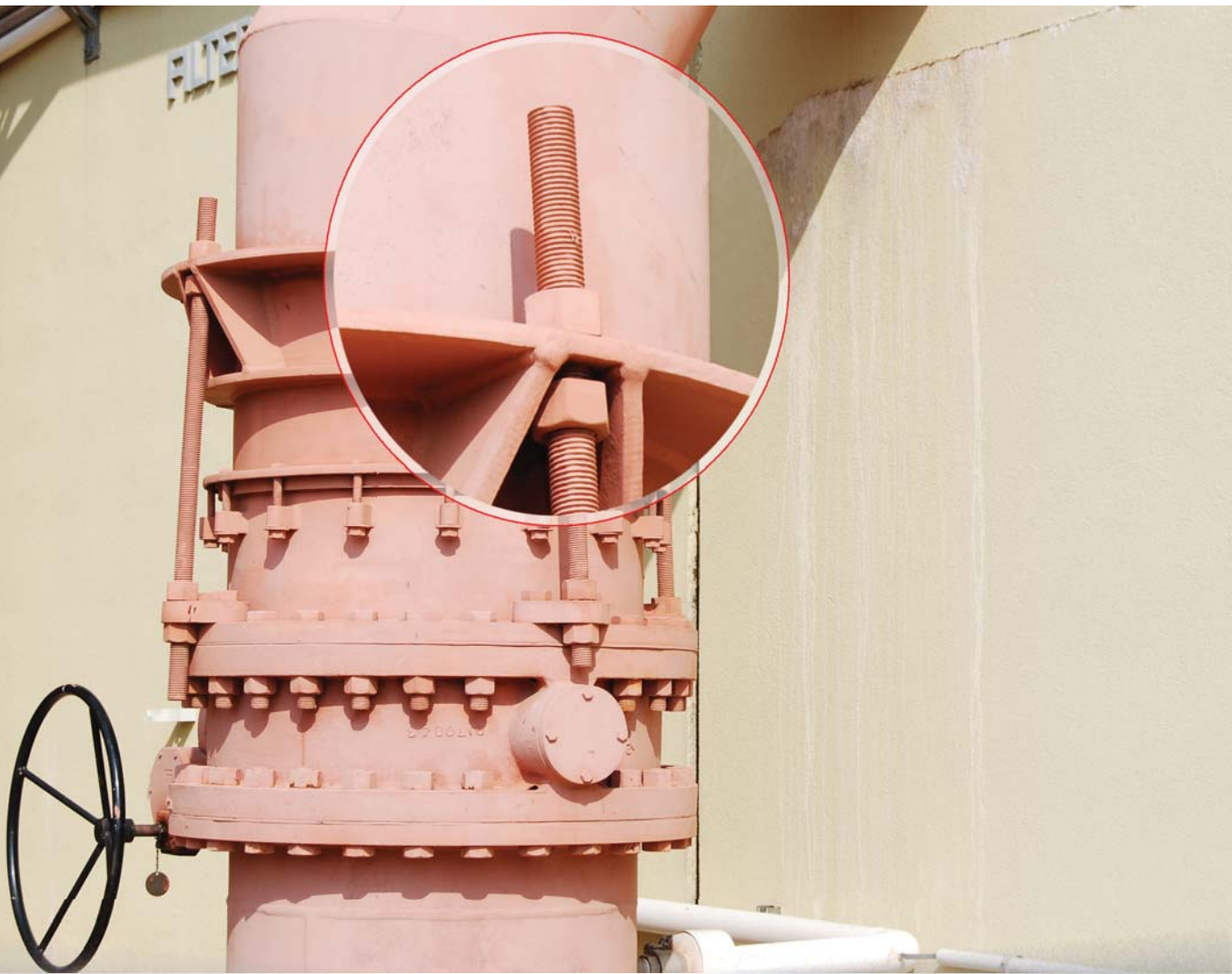


Threaded Studs



Continuous Thread Stud



Material Specifications

- ASTM A307 Gr A
- ASTM A36/A 36M
- ASTM A108-1008/1010
- ASTM A193 Gr B7
- ASTM A193 Gr B8 Class 1
- ASTM A193 Gr B8M Class 1
- ASTM A242
- AISI 304 Stainless Steel
- AISI 316 Stainless Steel
- DIN 975 10.9

Protective Coatings

- Plain
- Hot Dip Galvanized Zinc
- Mechanical Galvanized Zinc
- Electrodeposited Zinc Silver
- Electrodeposited Zinc Yellow
- Mechanical Cadmium
- Electrodeposited Cadmium

Available Nuts

- ASTM A563 Gr A Hex
- ASTM A563 Gr A Heavy Hex
- ASTM A563 Gr C Hex
- ASTM A563 Gr D Hex
- ASTM A563 Gr DH Heavy Hex
- ASTM A563 Gr DH3 Heavy Hex
- ASTM A194 Gr 2H Heavy Hex
- ASTM A194 Gr 8 Heavy Hex
- ASTM A194 Gr 8M Heavy Hex
- AISI 304 Stainless Steel Hex
- AISI 316 Stainless Steel Hex

Thread Pitch

- UNC Class 2A / 2B RH or LH
- UNF Class 2A / 2B RH or LH
- UNC8 Class 2A / 2B RH

Available Lengths

3', 6', 10', 12'

Double End and Single End Studs



Material Specifications

- ASTM A307 Gr A
- ASTM A36/A 36M
- ASTM A108-1008/1010
- ASTM A193 Gr B7
- ASTM A193 Gr B8 Class 1
- ASTM A193 Gr B8M Class 1
- ASTM A242
- ASTM A588/A 588M
- AISI 304 Stainless Steel
- AISI 316 Stainless Steel
- DIN 975 10.9

Protective Coatings

- Plain
- Hot Dip Galvanized Zinc
- Mechanical Galvanized Zinc
- Electrodeposited Zinc Silver
- Electrodeposited Zinc Yellow
- Mechanical Cadmium
- Electrodeposited Cadmium

Available Nuts

- ASTM A563 Gr A Hex
- ASTM A563 Gr A Heavy Hex
- ASTM A563 Gr C Hex
- ASTM A563 Gr D Hex
- ASTM A563 Gr DH Heavy Hex
- ASTM A563 Gr DH3 Heavy Hex
- ASTM A194 Gr 2H Heavy Hex
- ASTM A194 Gr 8 Heavy Hex
- ASTM A194 Gr 8M Heavy Hex
- AISI 304 Stainless Steel Hex
- AISI 316 Stainless Steel Hex

Thread Pitch

- UNC Class 2A / 2B RH or LH
- UNF Class 2A / 2B RH or LH
- UNC8 Class 2A / 2B RH

Quality Statement

Westermann Bolt & Gasket Co. is committed to excellence in the manufacturing of AASHTO, ASTM, ANSI/ASME and IFI products through the quality control processes of education, ethical procurement, skilled workmanship, accurate measurement and document control.

Our in-process controls are in accordance with ASME B18.18.4M