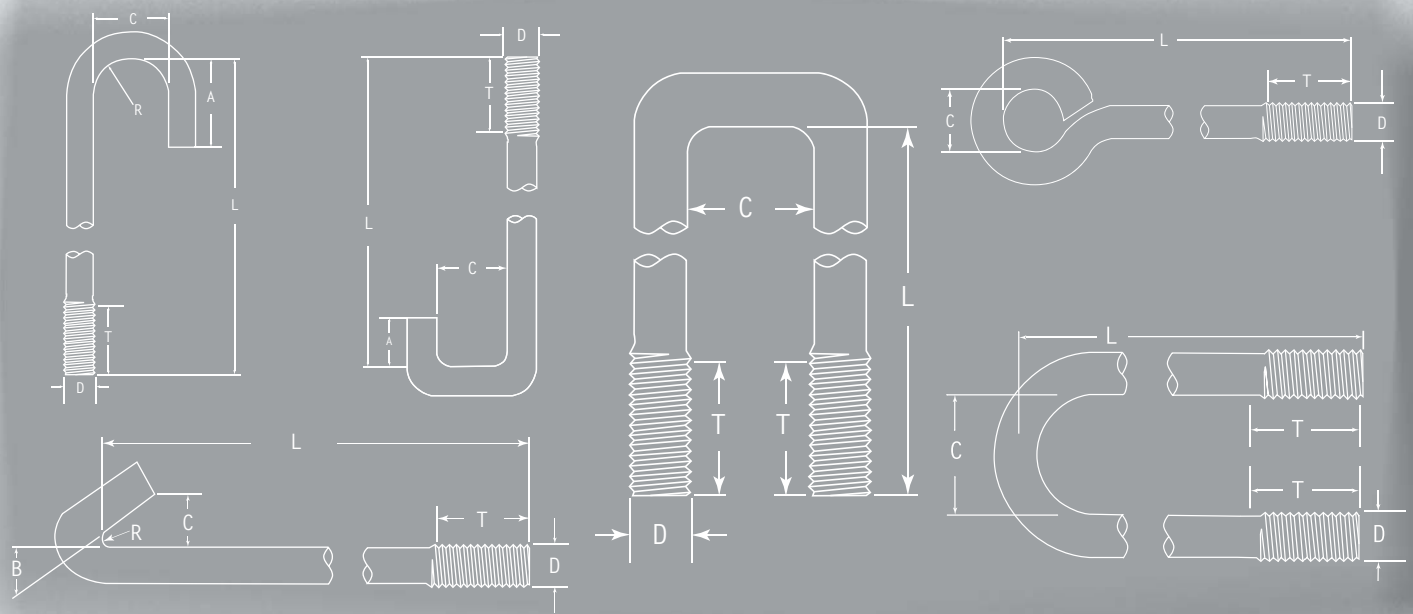




Other Bent Products



Westermann
Stud Rod Anchor

Hook Bolts - Round Bend, Square Bend, Special



Material Specifications

- ASTM F1554 Gr 36
- ASTM F1554 Gr 55
- ASTM F1554 Gr 105
- ASTM A193 Gr B7
- ASTM A193 Gr B8 Class 1
- ASTM A193 Gr B8M Class 1
- ASTM A354 Gr BD
- ASTM A449
- ASTM A108 - 1008/1010
- ASTM A36/A 36M
- ASTM A307 Gr A
- AISI 304 Stainless Steel
- AISI 316 Stainless Steel

Protective Coatings

- Plain
- Hot Dip Galvanized Zinc
- Mechanical Galvanized Zinc
- Electrodeposited Zinc Silver
- Electrodeposited Zinc Yellow
- Mechanical Cadmium
- Electrodeposited Cadmium

Available Nuts

- ASTM A563 Gr A Hex
- ASTM A563 Gr A Heavy Hex
- ASTM A563 Gr C Hex
- ASTM A563 Gr D Hex
- ASTM A563 Gr DH Heavy Hex
- ASTM A194 Gr 2H Heavy Hex
- ASTM A194 Gr 8 Heavy Hex
- ASTM A194 Gr 8M Heavy Hex
- AISI 304 Stainless Steel Hex
- AISI 316 Stainless Steel Hex

Eyebolts



Material Specification

- ASTM A307 Gr A

Protective Coatings

- Plain
- Hot Dip Galvanized Zinc
- Mechanical Galvanized Zinc
- Electrodeposited Zinc Silver
- Electrodeposited Zinc Yellow
- Mechanical Cadmium
- Electrodeposited Cadmium

U-Bolts - Round Bend, Square Bend



Material Specification

- ASTM F1554 Gr 36
- ASTM F1554 Gr 55
- ASTM F1554 Gr 105
- ASTM A193 Gr B7
- ASTM A193 Gr B8 Class 1
- ASTM A193 Gr B8M Class 1
- ASTM A354 Gr BD
- ASTM A449
- ASTM A108 - 1008/1010
- ASTM A36/A 36M
- ASTM A307 Gr A
- AISI 304 Stainless Steel
- AISI 316 Stainless Steel

Protective Coatings

- Plain
- Hot Dip Galvanized Zinc
- Mechanical Galvanized Zinc
- Electrodeposited Zinc Silver
- Electrodeposited Zinc Yellow
- Mechanical Cadmium
- Electrodeposited Cadmium

Available Nuts

- ASTM A563 Gr A Hex
- ASTM A563 Gr A Heavy Hex
- ASTM A563 Gr C Hex
- ASTM A563 Gr D Hex
- ASTM A563 Gr DH Heavy Hex
- ASTM A194 Gr 2H Heavy Hex
- ASTM A194 Gr 8 Heavy Hex
- ASTM A194 Gr 8M Heavy Hex
- AISI 304 Stainless Steel Hex
- AISI 316 Stainless Steel Hex

Quality Statement

Westermann Bolt & Gasket Co. is committed to excellence in the manufacturing of AASHTO, ASTM, ANSI/ASME and IFI products through the quality control processes of education, ethical procurement, skilled workmanship, accurate measurement and document control.

Our in-process controls are in accordance with ASME B18.18.4M