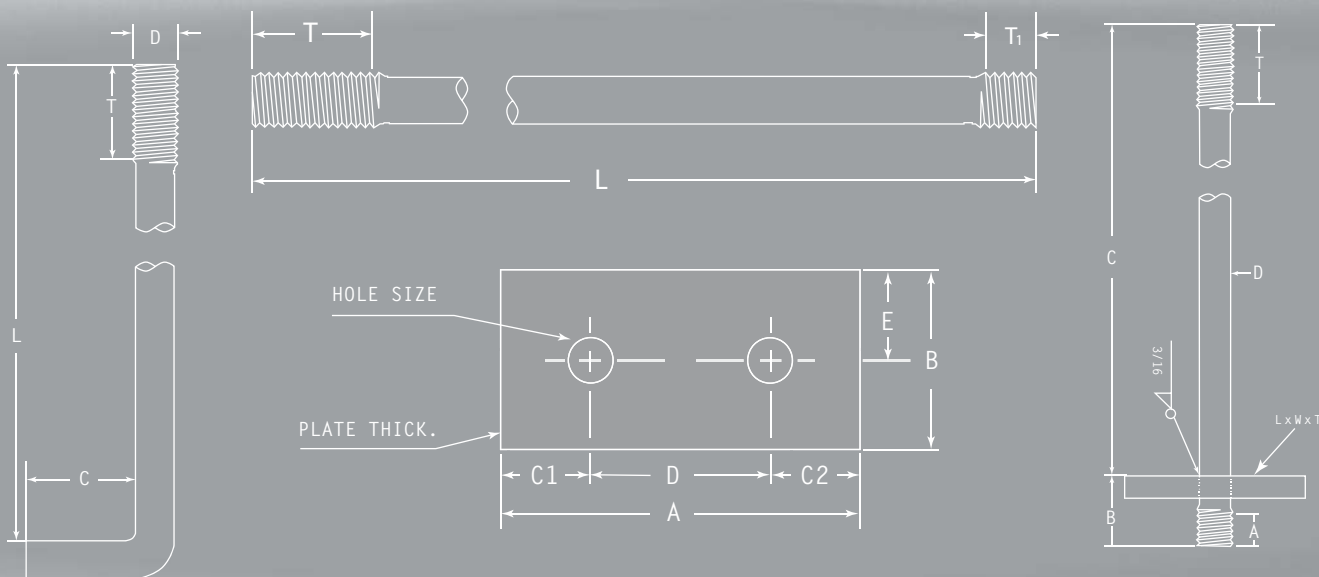


Anchor Bolts



Anchor Bolts

ASTM F1554-07a Anchor Bolts - Straight, L-Bend



Material Specifications

- ASTM F1554 Gr 36
- ASTM F1554 Gr 55
- ASTM F1554 Gr 105

Protective Coatings

- Plain
- Hot Dip Galvanized Zinc
- Mechanical Galvanized Zinc

Identification

Anchor Bolt

- ASTM F1554 Gr 36
- ASTM F1554 Gr 55
- ASTM F1554 Gr 105

Color

- End color blue
- End color yellow
- End color red

Available Nuts

- ASTM A563 Gr A Hex
- ASTM A563 Gr A Heavy Hex
- ASTM A563 Gr D Hex
- ASTM A563 Gr DH Heavy Hex

Flat Washer

- ASTM F436

Anchor Bolts - Commercial Straight, L-Bend and Plate Bolt



Material Specifications

- ASTM F1554 Gr 36
- ASTM F1554 Gr 55
- ASTM F1554 Gr 105
- ASTM A193 Gr B7 (to 2-1/2" dia.)
- ASTM A193 Gr B8 Class 1
- ASTM A193 Gr B8M Class 1
- ASTM A354 Gr BD (to 2-1/2" dia.)
- ASTM A449 (to 1" dia.)
- ASTM A449 (1 to 1-1/2" dia.)
- AISI 304 Stainless Steel
- AISI 316 Stainless Steel
- ASTM A108-1008/1010
- ASTM A36/A 36M

Protective Coatings

- Plain
- Hot Dip Galvanized Zinc
- Mechanical Galvanized Zinc

Available Nuts

- ASTM A563 Gr A Hex
- ASTM A563 Gr A Heavy Hex
- ASTM A563 Gr C Hex
- ASTM A563 Gr D Hex
- ASTM A563 Gr DH Heavy Hex
- ASTM A194 Gr 2H Heavy Hex
- ASTM A194 Gr 8 Heavy Hex
- ASTM A194 Gr 8M Heavy Hex
- AISI 304 Stainless Steel Hex
- AISI 316 Stainless Steel Hex

Flat Washer

- ASTM F436

Anchor Bolt Plate



Material Specification

- ASTM A36 / A 36M

Protective Coatings

- Plain
- Hot Dip Galvanized Zinc
- Mechanical Galvanized Zinc

Quality Statement

Westermann Bolt & Gasket Co. is committed to excellence in the manufacturing of AASHTO, ASTM, ANSI/ASME and IFI products through the quality control processes of education, ethical procurement, skilled workmanship, accurate measurement and document control.

Our in-process controls are in accordance with ASME B18.18.4M